

CARMEN

Unik (base unit with two drawers and basin)



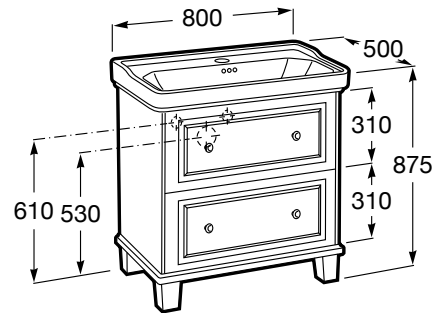
DIMENSIONS

Length	800 mm
Width	500 mm
Height	875 mm

COLOURS AND FINISHES



TECHNICAL DRAWINGS



FEATURES

Base unit / Doors and drawers combination: 2 drawers

Base unit / Structure: Drawers

Basin / Taphole configuration: 1 taphole in the middle

Basin shape: Square

Dimensions / Basin and base unit / Height (mm): 875

Dimensions / Basin and base unit / Length (mm): 800

Dimensions / Basin and base unit / Width (mm): 500

Installation type: Floor-standing

Material / Base unit: Chipboard, MDF

Material / Basin: Vitreous china

Publication Status

Space-saving waste included

Tap installation: On the basin

COMPATIBLE WITH



Smooth body basin mixer
with click clack waste

5A3A4BC00



Round mirror with
perimetral LED lighting and
demister device

812337000



Mirror with perimetral LED
lighting and demister device

812341000

Carmen

Carmen is a tribute to one of Roca's most iconic basins of the 1940s, which comes back with a clear vintage character to become a vitreous china and furniture collection with the latest innovations in the design of bathroom spaces.



INSTALLATION AND USER MANUALS



[Exploded view](#)